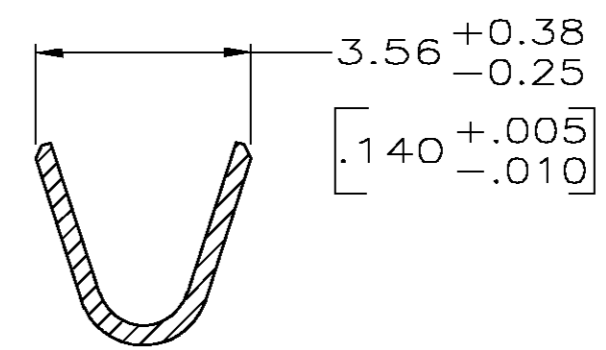
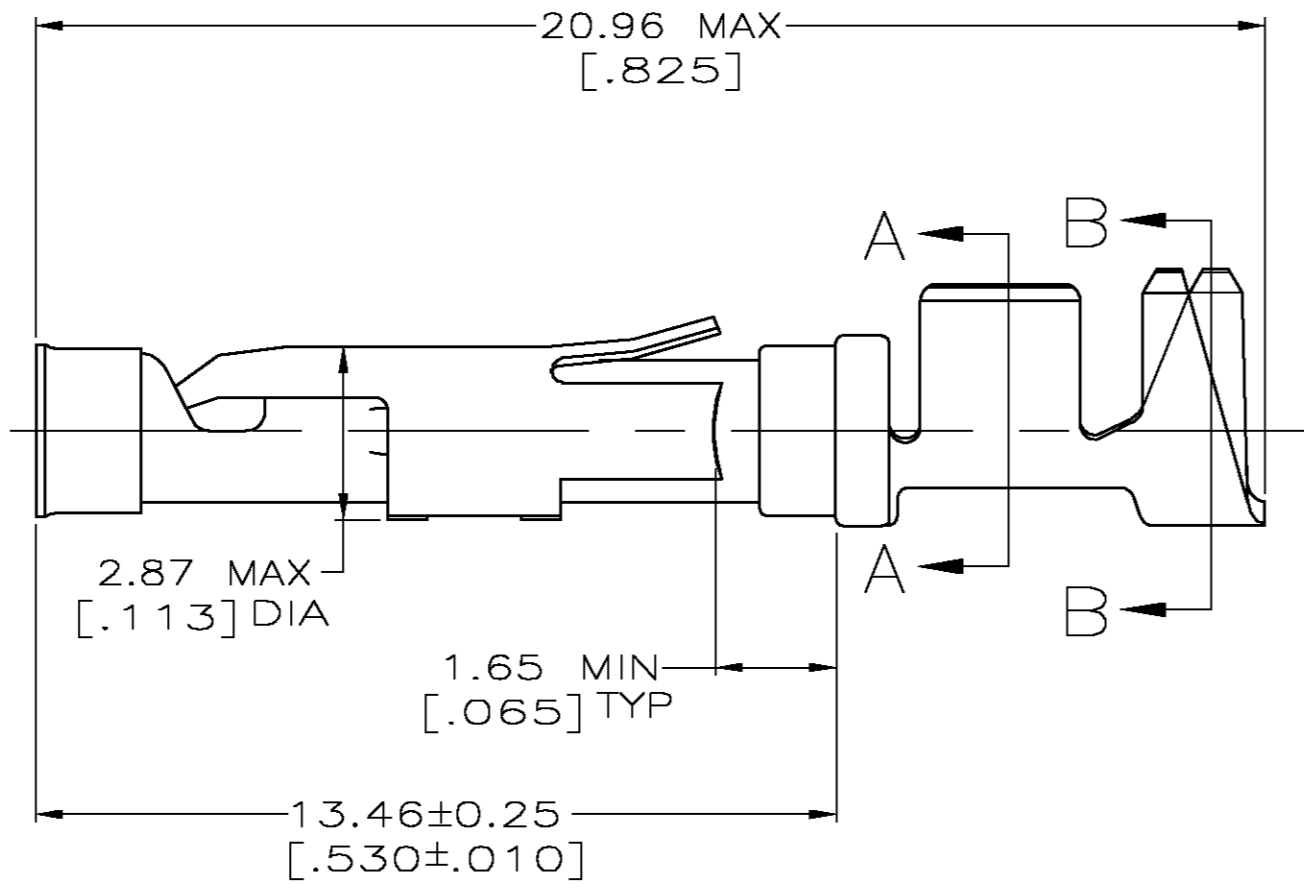
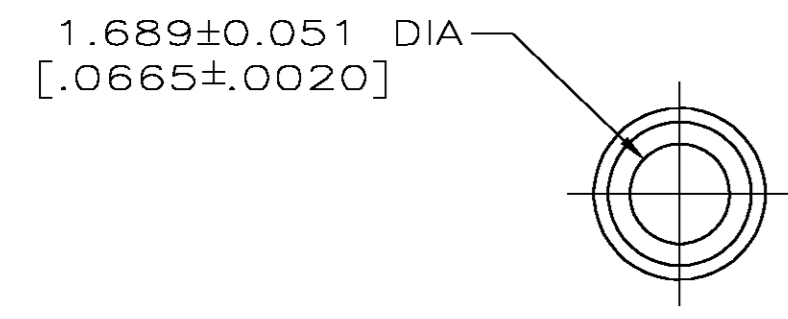
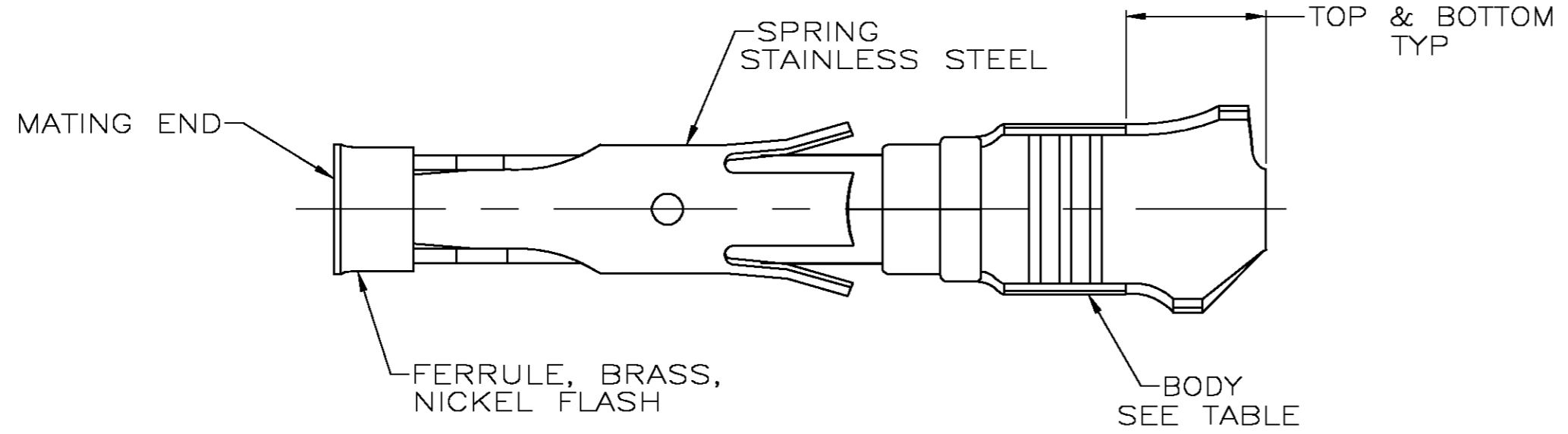
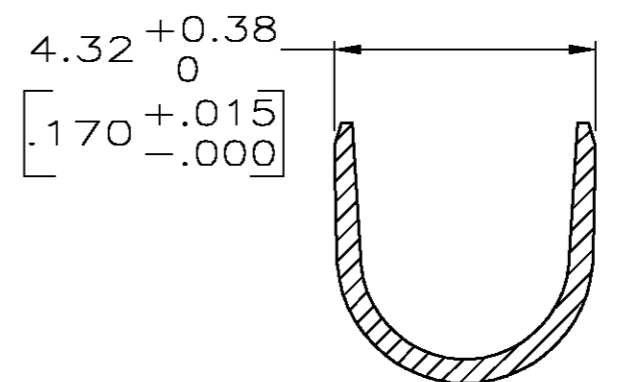


THIS DRAWING IS UNPUBLISHED. RELEASED FOR PUBLICATION
 © COPYRIGHT BY TYCO ELECTRONICS CORPORATION. ALL RIGHTS RESERVED.

LOC	DIST	REVISIONS					
FT	0	P	LTR	DESCRIPTION	DATE	DWN	APVD
		U		REVISED PER 0G3B-0956-04	11/22/04	SS	GS



SECTION A-A



SECTION B-B

- ① 0.76μm [.000030] MIN GOLD PER MIL-G-45204 ON MATING END FOR A LENGTH OF 5.08 [.200] MIN WITH GOLD FLASH ON THE REMAINDER OVER 0.76μm [.000030] MIN NICKEL PER QQ-N-290.
- ② 1.27μm [.000050] MIN TIN-LEAD PER MIL-T-10727 OVER 0.76μm [.000030] MIN NICKEL PER QQ-N-290.
- ③ BRASS PER MIL-C-50.
- ④ PHOSPHOR BRONZE PER QQ-P-750.
- ⑤ GOLD PLATING NEED NOT APPEAR IN THIS AREA.
- ⑥ WIRE RANGE 14-18 AWG. INSULATION RANGE 2.79[.110]-3.81[.150].
- ⑦ 0.38μm [.000015] MIN GOLD PER MIL-G-45204 ON MATING END FOR A LENGTH OF 5.08 [.200] MIN, 1.27μm [.000050] MIN TIN-LEAD PER MIL-T-10727 FOR A LENGTH OF 5.69 [.224] MIN ON OPPOSITE END, BOTH OVER 1.27μm [.000050] MIN NICKEL PER QQ-N-290 ON ENTIRE CONTACT.
- ⑧ 1.27μm [.000050] MIN TIN PER MIL-T-10727 OVER 0.76μm [.000030] MIN NICKEL PER QQ-N-290.
- ⑨ CU-NI ALLOY

	SMALL PACK	⑧	③	66598-9	1-66601-3
	STANDARD	⑧	⑨	1-66598-2	1-66601-2
	STANDARD	①	⑨	1-66598-1	1-66601-0
	STANDARD	⑧	③	66598-9	66601-9
	SMALL PACK	①	③	66598-2	66601-8
	SMALL PACK	②	③	66598-1	66601-7
OBSOLETE	STANDARD	⑦	③	66598-8	66601-5
OBSOLETE	STANDARD	①	④	66598-6	66601-4
OBSOLETE	STANDARD	②	④	66598-5	66601-3
	STANDARD	①	③	66598-2	66601-2
	STANDARD	②	③	66598-1	66601-1
	PACKAGING	BODY FINISH	BODY MATERIAL	STRIP P/N REF	PART NO.

THIS DRAWING IS A CONTROLLED DOCUMENT.

DWN	R. SHIREY	7-31-91	Tyco Electronics Corporation Harrisburg, Pa 17105-3608
CHK	R. STONE	9-20-91	
APVD	J. WESTMAN	9-20-91	
PRODUCT SPEC			
APPLICATION SPEC			NAME
			SOCKET ASSEMBLY, LOOSE PIECE, TYPE III+
MATERIAL	SEE CALLOUTS	FINISH	SEE CALLOUTS
WEIGHT	-	SCALE	A2 00779 C=66601
CUSTOMER DRAWING		SCALE	8:1 SHEET 1 OF 1 REV U